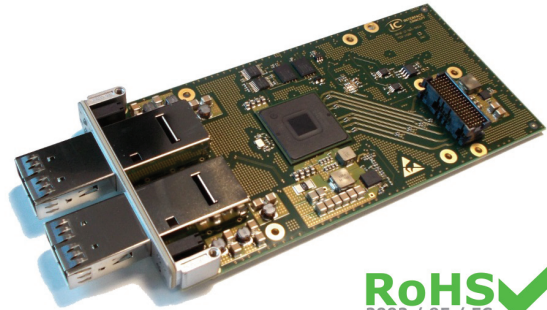


IC-XGE-XMCa 10G/40G Ethernet XMC

The **IC-XGE-XMCa** is an XMC board offering a dual-port 40 Gigabit Ethernet (GbE) or quad-port 10 GbE Network Interface Controller.



Description

The **IC-XGE-XMCa** board handles the last generation of Intel® Ethernet Controllers: Fortville (XL710).

The **IC-XGE-XMCa** provides:

- Up to two 40 Gigabit Ethernet ports (*), or
- Up to four 10 Gigabit Ethernet ports

The Ethernet ports are mapped on two QSFP+ cages (**).

When used in four 10 GbE ports configuration, only one QSFP cage may be used to attach a quad SFP+ breakout cable as example.

(*) The total bandwidth is limited to 40Gb/s even when connected through two 40Gb/s ports

(**) Optical multimode currently (mono-mode expected Q4/2015)

Power Max: 6.5 W

Main features

Pn5 :

- ▶ PCIe x8 (Gen2, Gen3)
- ▶ Power Supplies:
VPWR and 3.3V_aux (mandatory)
- ▶ Two-wire serial management bus to address :
 - a serial EEPROM (Field Replaceable Unit -FRU- records),
 - an on-board Temperature and Power Supply monitor,
 - the XL710V controller.

Front :

- two QSFP+ cages

The **IC-XGE-XMCa** is available in air cooled grades. Please contact us for details..

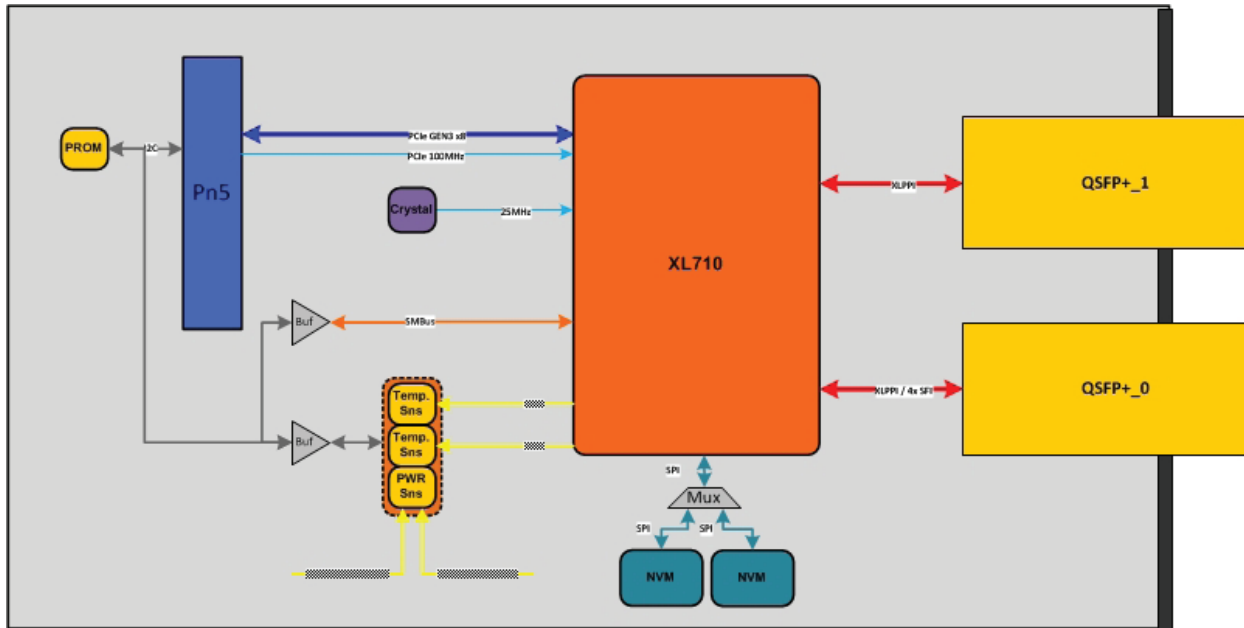
IC-XGE-XMCa

10G/40G Ethernet XMC

Drivers

For x86 architecture, the IC-XGE-XMCa board is compatible with the Linux and Windows 32/64bits editions of the XXX drivers provided by XXX.

Block Diagram



Environnement Specifications:

Please consult the IC-XGE-XMCa page at www.interfaceconcept.com.

Ordering Information:

Please contact our sales department : tel. +33 (0)2 98 577 176 - email : info@interfaceconcept.com

This document supersedes any earlier documentation relating to the products referred to herein. The information contained in this document is current at the date of publication. It may subsequently be updated or withdrawn without notice.